

1

Kit 187052

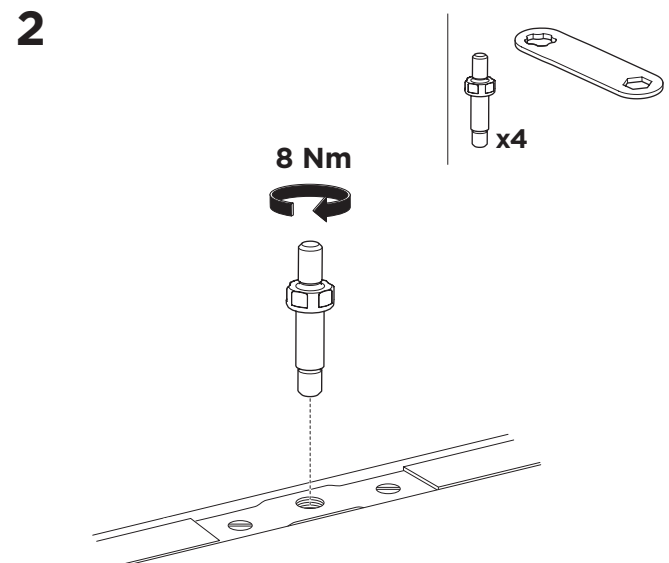
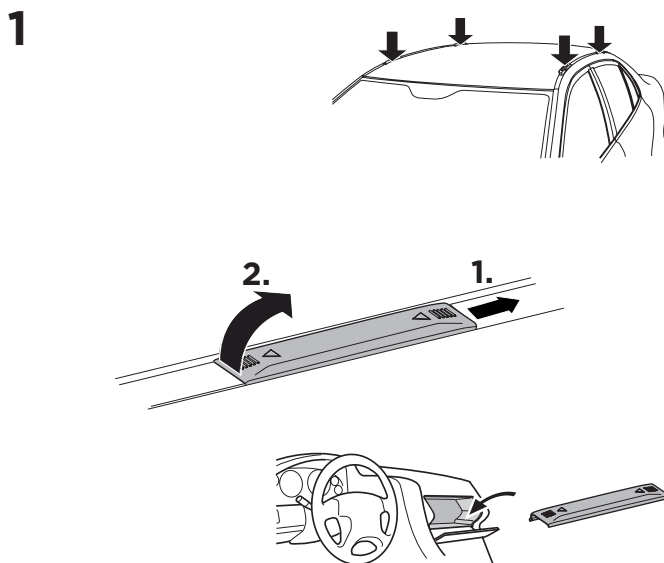
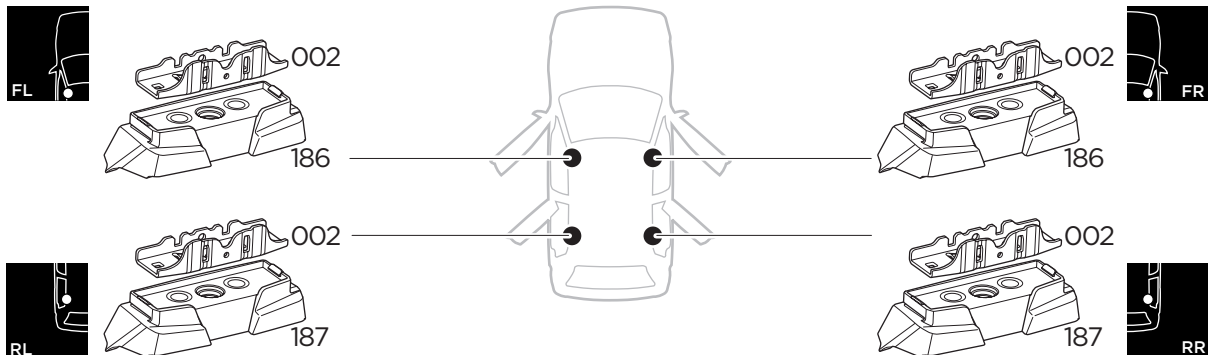
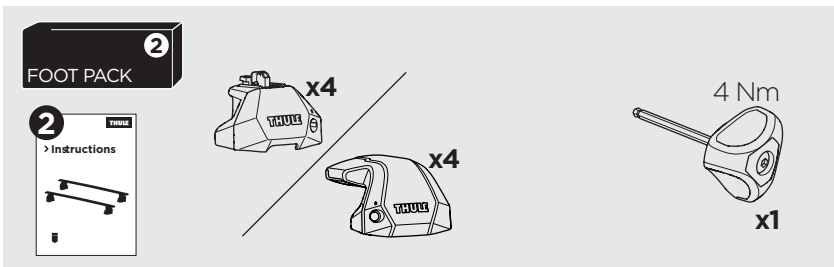
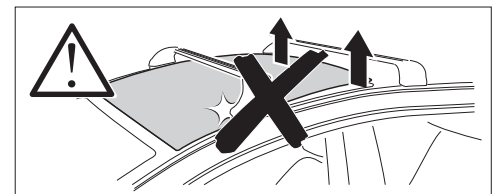
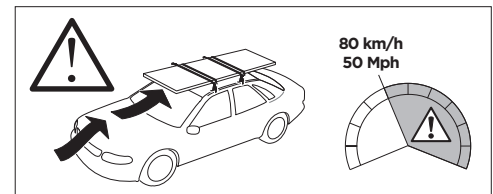
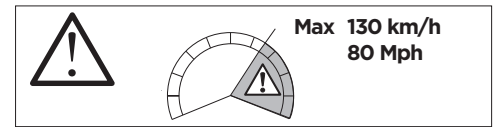
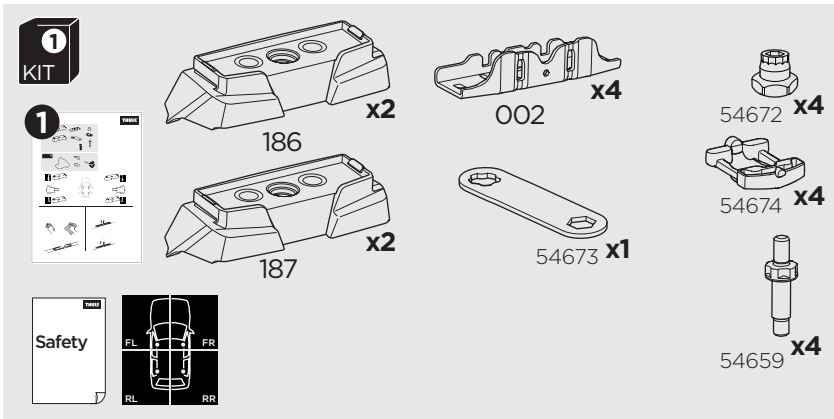
CITROËN C4 Aircross, 5-dr SUV, 12-18
 MITSUBISHI ASX, 5-dr SUV, 10-22
 MITSUBISHI Outlander Sport, 5-dr SUV, *11-
 MITSUBISHI RVR, 5-dr SUV, 10-

*North America

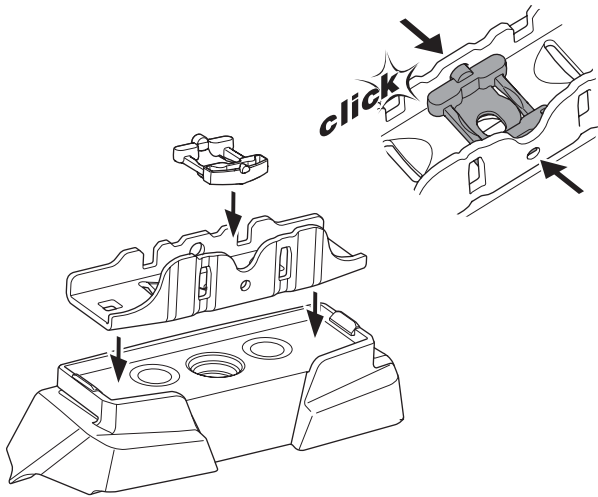


ISO 11154-E

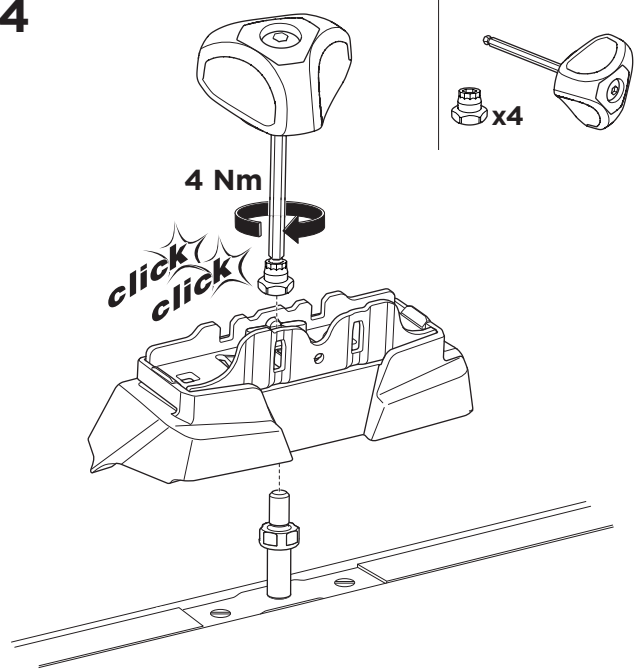
This kit is only for vehicles with fixpoint mounting.



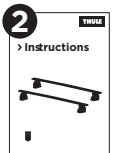
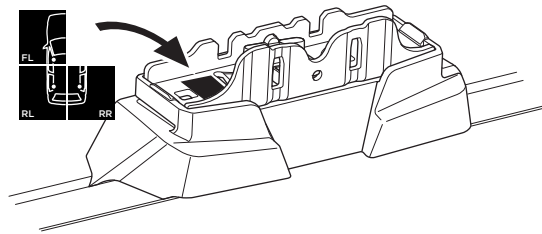
3



4



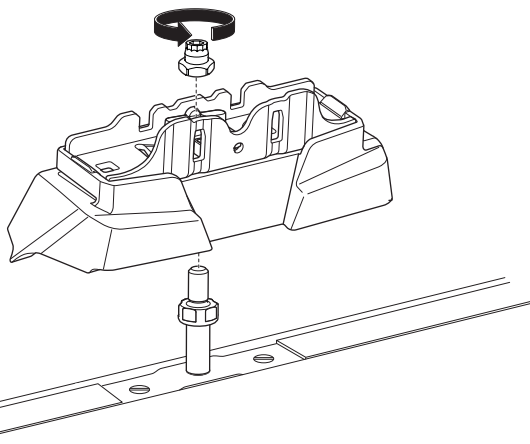
5



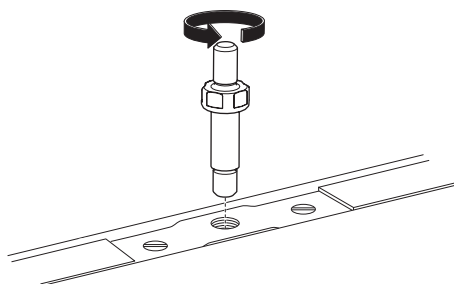
i



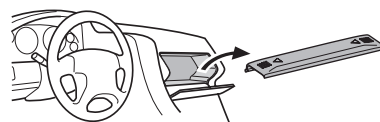
A



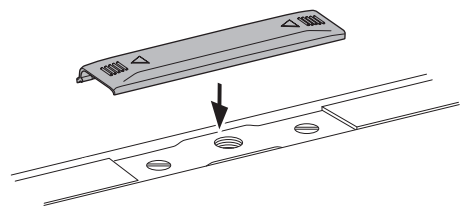
B



C



1.



2.

