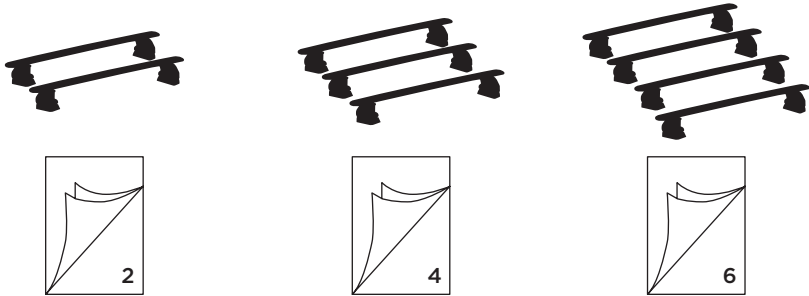






1



**Kit 187095**


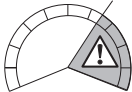
**FORD Transit Connect L1/L2 (Mk. III), 4-dr Van, 24-  
VOLKSWAGEN Caddy Cargo, 4/5-dr Van, 21-  
VOLKSWAGEN Caddy Maxi, 4/5-dr Van, 21-**






 +  = Max: 100 kg / 220 lbs  
7 kg / 15,4 lbs

 +  = Max: 150 kg / 330 lbs  
10,5 kg / 21,1 lbs

 +  = Max: 150 kg / 330 lbs  
14 kg / 31 lbs

  Max 130 km/h / 80 Mph

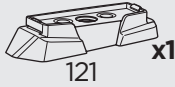
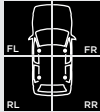
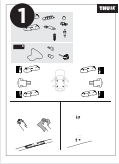
ISO 11154-E

  80 km/h / 50 Mph 





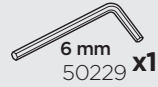
This kit is only for vehicles with fixpoint mounting.



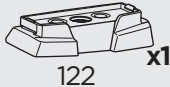
x1



x2



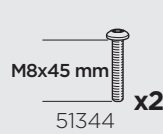
6 mm  
50229 x1



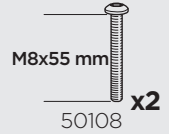
x1



x1



M8x45 mm  
51344 x2



M8x55 mm  
50108 x2

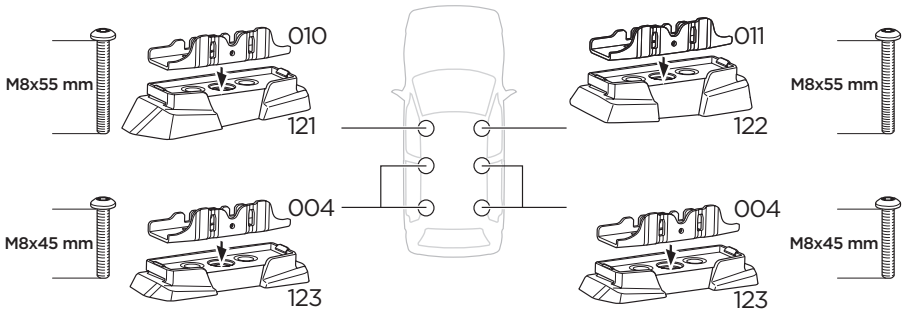


x2

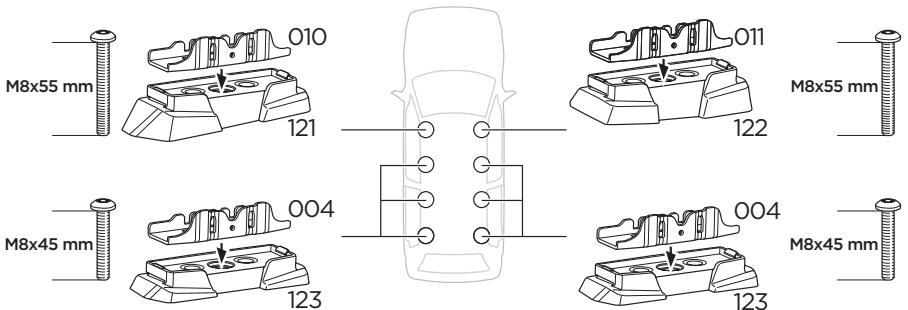


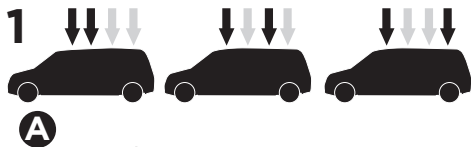
x1

**i** **FORD Transit Connect L1 (Mk. III), 4-dr Van, 24-**  
**VOLKSWAGEN Caddy Cargo, 4/5-dr Van, 21-**

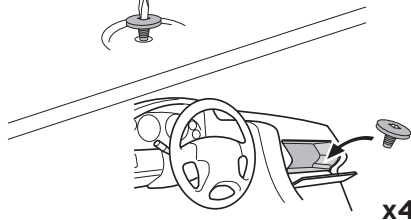


**FORD Transit Connect L2 (Mk. III), 4-dr Van, 24-**  
**VOLKSWAGEN Caddy Cargo Maxi, 4/5-dr Van, 21-**





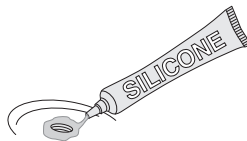
**A**



x4

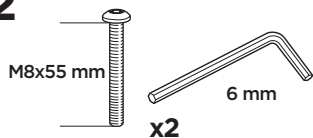
**B**

**i**

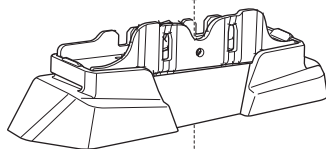


x4

**2**



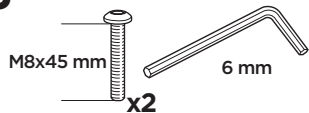
**8 Nm**



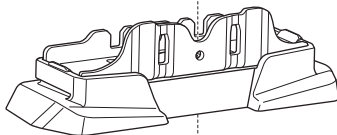
x2



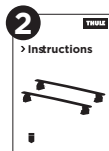
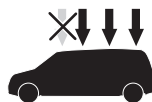
**3**



**8 Nm**



x2





**2**

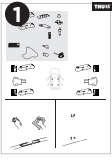



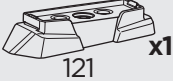

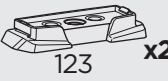
**FORD Transit Connect L1 (Mk. III), 4-dr Van, 24-  
VOLKSWAGEN Caddy Cargo, 4/5-dr Van, 21-**







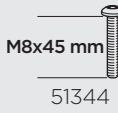
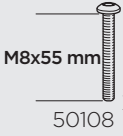
**This kit is only for vehicles with fixpoint mounting.**





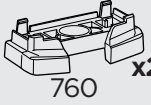
 **121 x1**  
 **122 x1**  
 **123 x2**

 **004 x2**  
 **010 x1**  
 **011 x1**

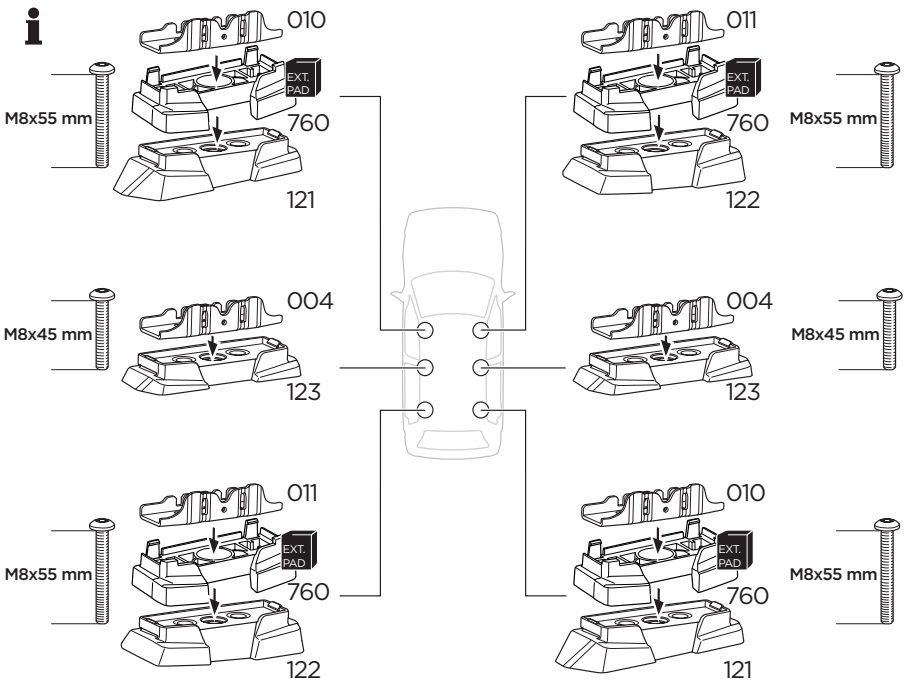
 **6 mm 50229 x1**  
 **M8x45 mm 51344 x2**  
 **M8x55 mm 50108 x2**

# x2



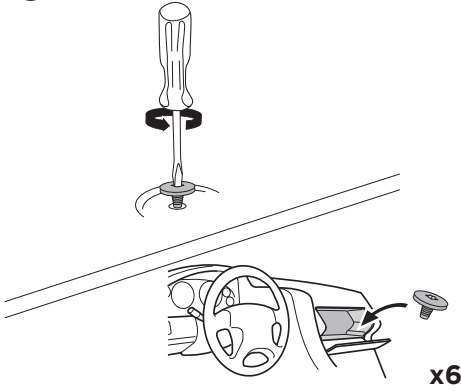
 **760 x2**

# x2



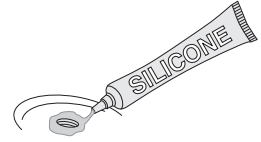
1

A



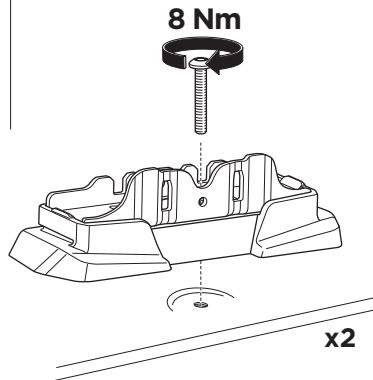
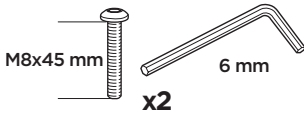
B

i

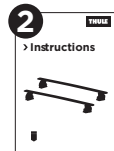
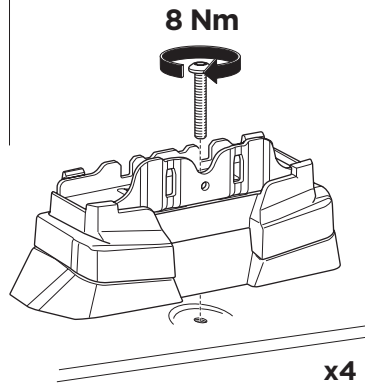
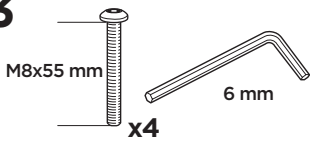


x6

2



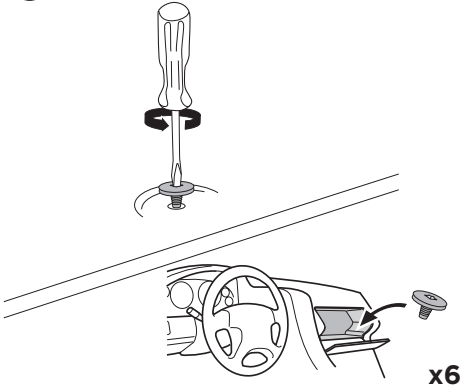
3



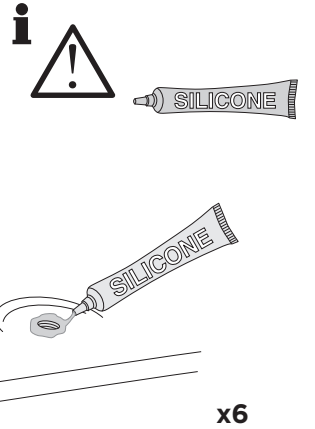


1

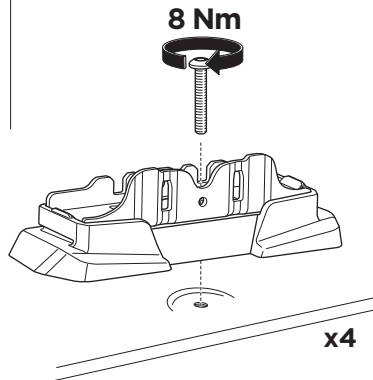
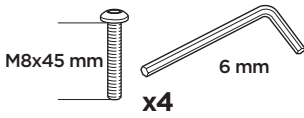
A



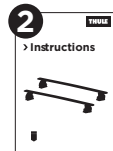
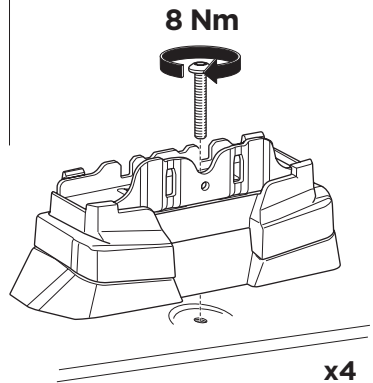
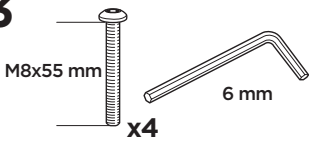
B



2



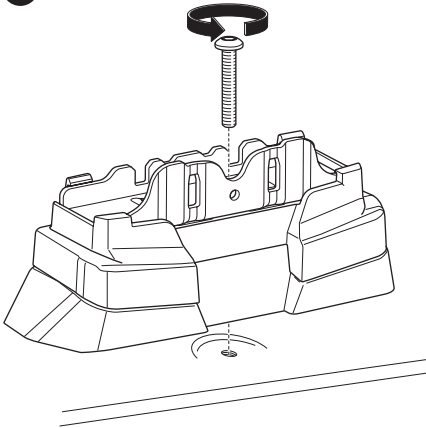
3



**i**



**A**



**B**

